

# Solar Mounting Bracket | AL-120

Bracket with integrated bubble-level, designed to mount Apogee Instruments solar sensors to a mast or pipe for proper installation.

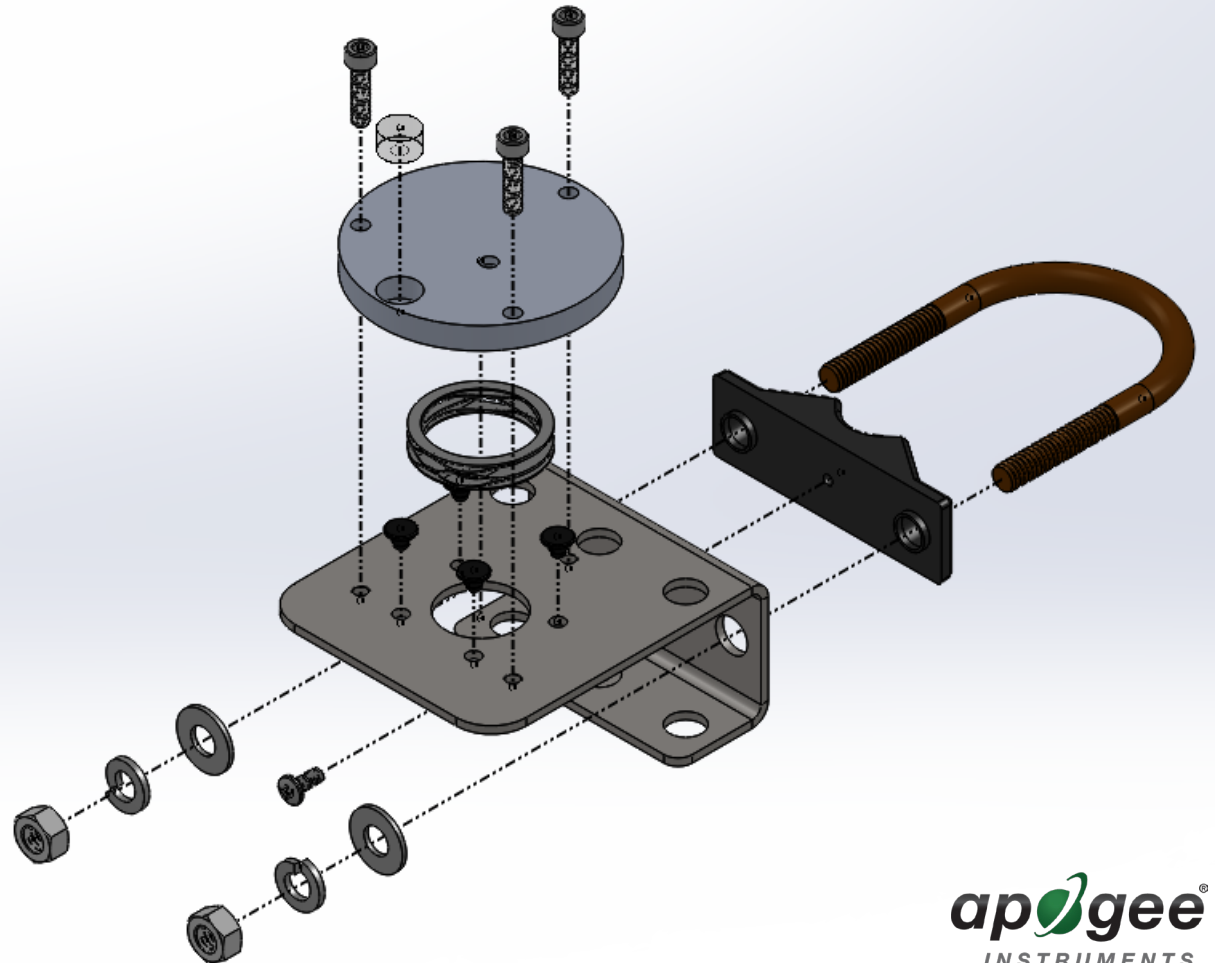
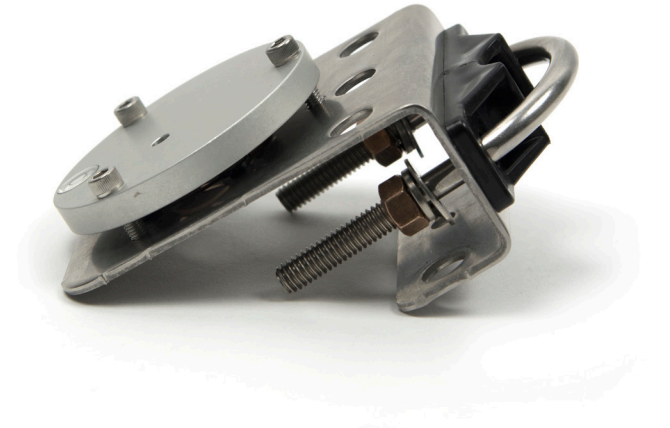
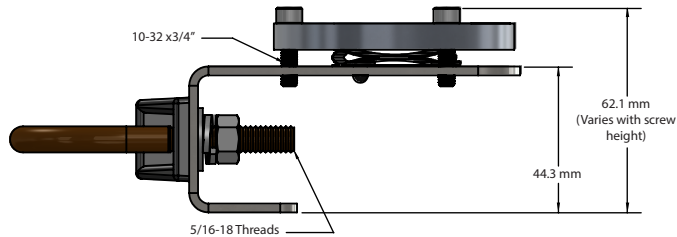
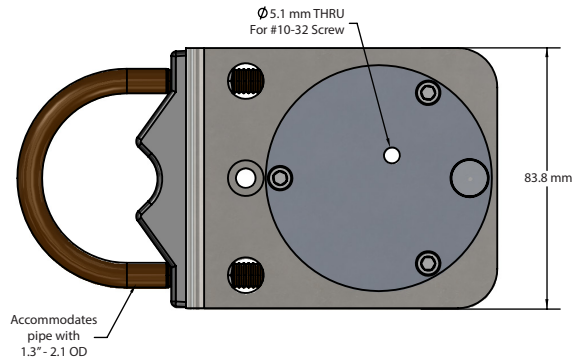
## Simple and Accurate Mounting

The AL-120 Solar Mounting Bracket is designed to mount Apogee Instruments solar sensors to a mast or pipe with an outer diameter of 1.3" - 2.1". The bracket has an integrated bubble-level to make leveling simple and accurate for proper sensor installation.

## Accommodated Sensors Models

Bracket accommodates Apogee Instruments solar sensor SP, SL, SU, and SQ-100, 200, 400, and 500 series models.

## Dimensions



## AL-120

Dimensions	83.8 mm x 62.1 mm
Mass	420 g
Warranty	4 years against defects in materials and workmanship

**apogee**<sup>®</sup>  
INSTRUMENTS

[www.apogeeinstruments.com](http://www.apogeeinstruments.com) | 435.792.4700

Logan, UT