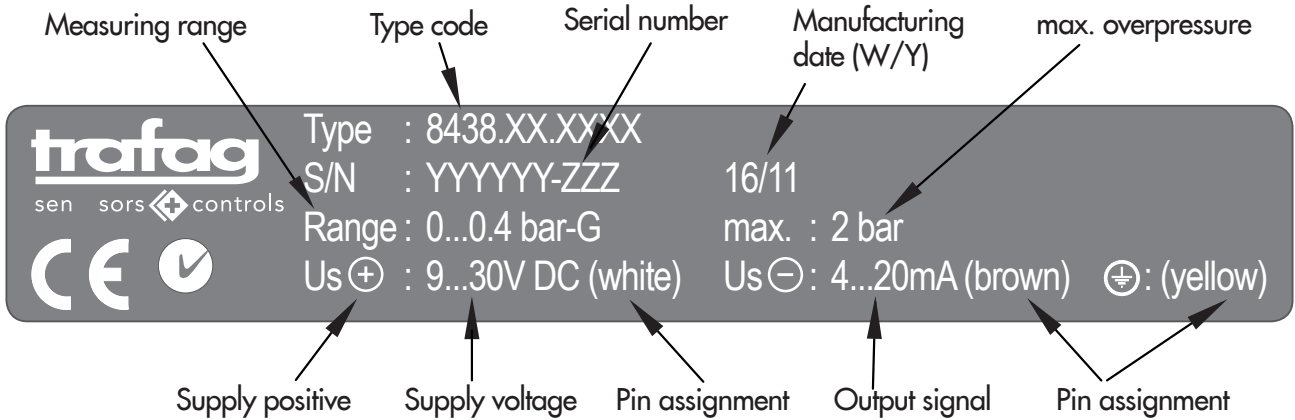


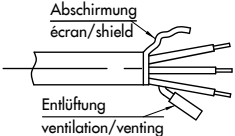
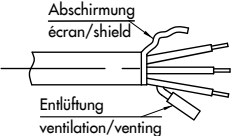
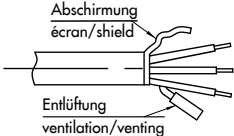
Technical specification

Mounting torque: 15 ... 20 Nm not lubricated
 Operating and media temperature: -25°C ... +80°C
 Storage temperature: -40°C ... +80°C

Type label description



Electrical connections

Ingress Protection	IP68	IP68	IP68
Designation	Cable* PUR ø 6 mm	Cable* FEP ø 6 mm	Cable* PE ø 6 mm
Type code	8438.XX.XXXX.22	8438.XX.XXXX.32	8438.XX.XXXX.42
Pin configuration			

Output
4 ... 20 mA

Load resistance
(U_{Supply} - 9V) / 20mA

I_{SUPPLY}

U_{SUPPLY}
9 ... 30 VDC

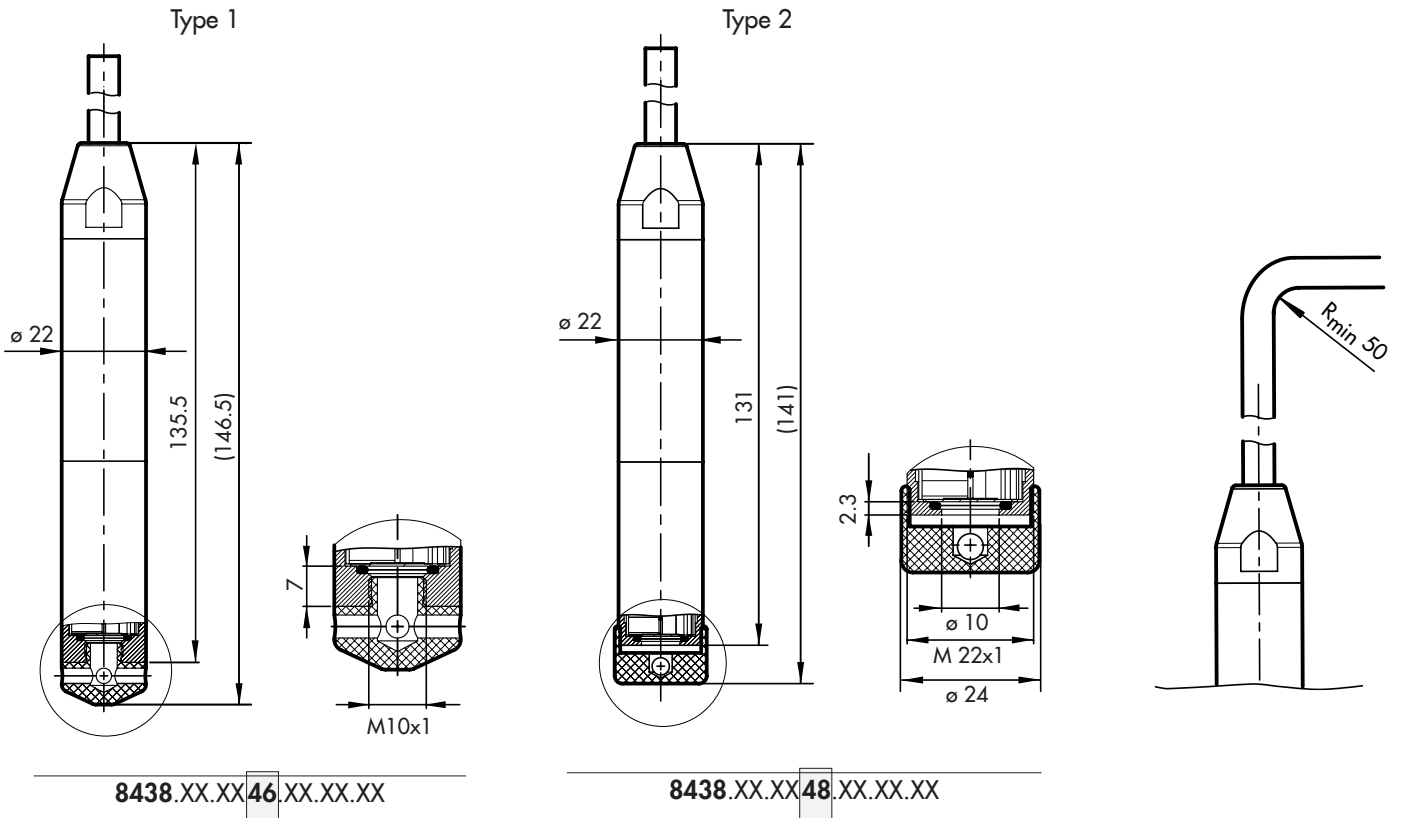
* Ventilation via cable end

Shield in the device is not connected

Any manipulation on the ventilation tube will result in warranty loss

For level measurement applications on ships under certification GL (German Lloyd), the cable of such transmitters must be installed inside the tank only.

Pressure connections



For cleaning purposes, the black protection cap can be removed.

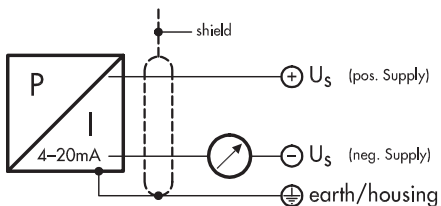
The transmitter should be cleaned with a detergent, compatible with the transmitter materials as listed in the datasheet <http://www.trafag.com/H72328>.

It is strongly recommended to refrain from any mechanical cleaning of the ceramic membrane as it is very sensitive and can easily be damaged.

Connection of the measuring equipment

Current output 2-wires

single arrangement



multiple arrangement

